



# CONFINED SPACE 2020

# Personal Protective Equipment



1010106

## 1010106

### PU Coated Gloves Grey

Nylon Glove. Polyurethane palm coated. Machine Knitted. Integral elasticated wrist. Ideal for handling light components.

Sizes: S - XL

Cat 2 - Intermediate Risk

Standard: EN388: 2003

- Level 4 - Abrasion
- Level 1 - Cut Resistance
- Level 3 - Tear Resistance
- Level 1 - Puncture



1301136

## 1301136

### Clear Yale Spectacles

Ultra lightweight. Wrap around design. Contoured shape. Polycarbonate lens (PC lens). Soft nose bridge. Non slip coloured rubber tips.

Cat 2 - Intermediate Risk

Standard:

EN166:

Optical Class:1

F - (Low impact energy)

2C-1.2 - UV Filter



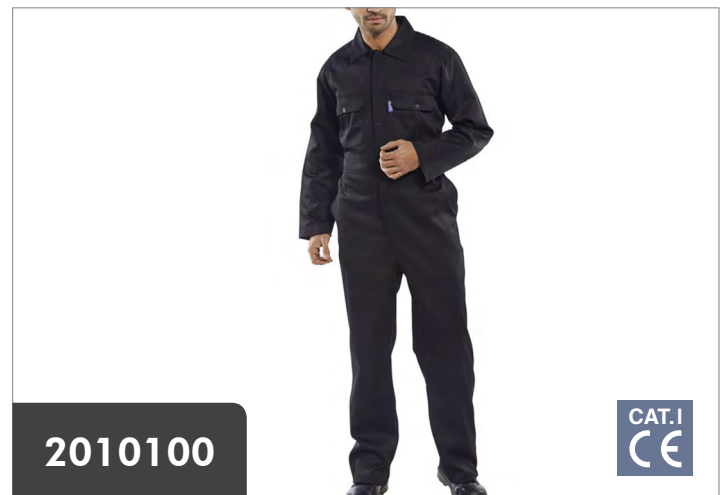
1102097

## 1102097

### Reduced Peak Safety Helmet White

Reduced peak industrial safety helmet. ABS vented shell to improve long period wear. Comfort fit sweatband. 6 point webbing harness. Ratchet adjustment. Complete with 4 point chinstrap. 30mm slot fixing point for attachments. Cat 2 - Intermediate Risk.

Standard: EN397:2012+ A1:2012



2010100

## 2010100

### Regular Polycotton Boilersuit Black

65% polyester, 35% cotton. Concealed stud front. 2 breast pockets. Elasticated waist. 2 swing hip pockets with side access. 1 rear pocket. 1 rule pocket. Garment has a half elasticated waistband.

Cat 1 - Minimal Risk

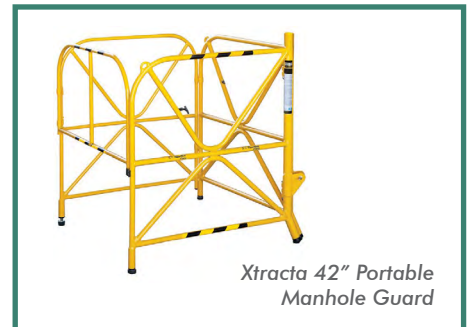
Sizes: 36" - 58"

# Personal Fall Protection - XTRACTA

Manhole Barrier Davit System



Stabiliser 42"  
Portable Manhole Guard



Xtracta 42" Portable  
Manhole Guard



24" Davit Arm c/w Secondary Block Mount

## IN2210-1 / IN2108-1 / A2108-18

### Xtracta Portable Manhole Guard Rail Davit System

Portable Manhole Guards have an integrated mast which when used in conjunction with a davit arm, transforms these systems into a confined Space Fall Protection and Retrieval System.

These systems will facilitate your access to underground chambers or any other type of confined space where a portable manhole guard is needed.

With a capacity of 191kg (safety factor 10:1) these systems meet or exceed CSA, ANSI, OSHA, CSST and CE Standards.

# Personal Fall Protection - TRIPOD



## 2002224

### Confined Space Tripod

Tripod for confined space entry. Pulleys route the cables centrally through the tripod head giving a clean line of pull for the lowering and rescue devices. Fall Arrest and Recovery device and personal load winches can be mounted with the appropriate brackets.

EN795

High functional stability

High quality and reliability

Load carrying capacity: 2 persons max.

Foldable rubber feet

For use with SpanSet fall arrest and rescue devices

For use with SpanSet Load and Personnel winches: 2002227

Corrosion resistant coating

Two eye bolts in the head of the tripod

Stainless steel leg locking pins

Mountable accessories available

Materials: Aluminium Construction

Type Approval: EN795

Notes: Suitable for use as part of a fall protection system.

10 year maximum lifespan.



## 2002225

### Confined Space Tripod Bracket

Mounting bracket for Fall Arrest and Recovery devices to be used with SpanSet Tripods.

Bracket to connect a Saverline Rescue and Recovery Block (up to 60m) to a SpanSet Tripod

1.8kg

Materials: Aluminium Construction

Type Approval: N/A

Notes: Suitable for use as part of a fall protection system.

10 year maximum lifespan

# Personal Fall Protection - HARNESS



1500120

## 1500120

### Standard - 2 Point Full Body Harness with Overhead Rescue Attachment

- Lightweight Full Body Confined Space and Fall Arrest Rescue Harness
- Front and Rear Fall Arrest attachments
- Adjustable at leg loops, shoulders and chest
- Available in standard size
- Polished highly corrosion resistant points and shoulder adjustment buckles
- Supplied with clear user instructions
- Individually serial numbered certification for traceability
- Pocket Inspection Guide
- CE approved to EN 361

# Personal Fall Protection - LANYARD



## 1501284

### Energy Absorbing Lanyard - Single Loop Back 2.0m max working length

Single leg loop back fall arrest lanyard. Loops allow the worker to reduce the working length of the lanyard in 4 stages. The energy absorbing pack has a protective cover which can be removed for inspection and a "clip back" ring. The duplex construction increase the resistance to small radius edges during a fall. Duplex polyester lanyard with 3 loops to adjust the working length. Energy absorbing pack for workers up to 140kg in weight. Connector: steel auto-lock karabiner with captivating pin. Clip Back Ring to allow lanyard to loop around an anchor. Type Approval: EN355:2002.

Materials: Polyester lanyard webbing  
Mild steel connectors with zinc finish  
Mild steel ring with ED Black finish

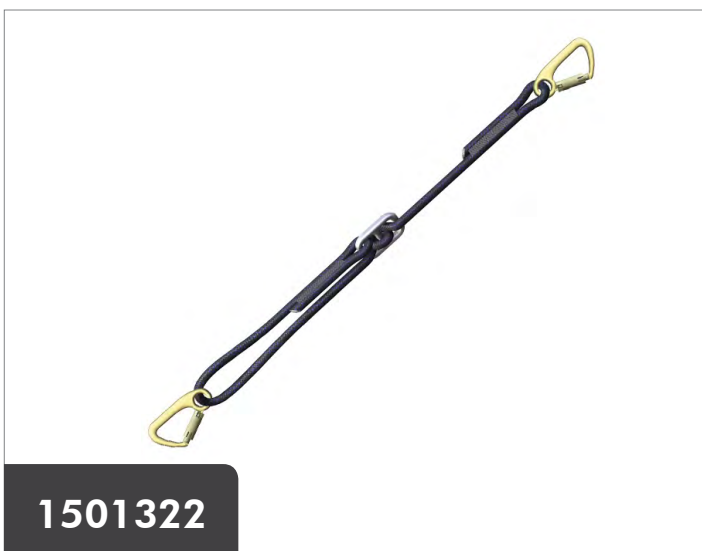


## FAN-01C01

### Energy Absorbing Lanyard - Twin Loop Back 2.0m working length

Twin leg loop back fall arrest lanyard. Twin lanyards provide 100% attachment while climbing and traversing. Loops allow the worker to reduce the working length of the lanyard in 4 stages. The energy absorbing pack has a protective cover which can be removed for inspection and a "clip back" ring. The duplex construction increase the resistance to small radius edges during a fall. Duplex polyester lanyard with 3 loops to adjust the working length. Energy absorbing pack for workers up to 140kg in weight. Connector: steel auto-lock karabiner with captivating pin. Clip Back Ring to allow lanyard to loop around an anchor. Type Approval: EN355:2002.

Materials: Polyester lanyard webbing  
Mild steel connectors with zinc finish  
Mild steel ring with ED Black finish



## 1501322

### Adjustable Rope Lanyard

Single leg lanyard. Adjustable working length to 2m. Steel autolock karabiner both ends for attachment to harness and anchorage.

Rope Adjustable Lanyards for Work Restraint Applications. Available with a choice of end fittings and working lengths up to 2m. Supplied with clear user instructions. Individually serial numbered certification for traceability. Pocket Inspection Guide. CE approved to EN358.

# Personal Fall Protection BLOCKS/BRACKETS



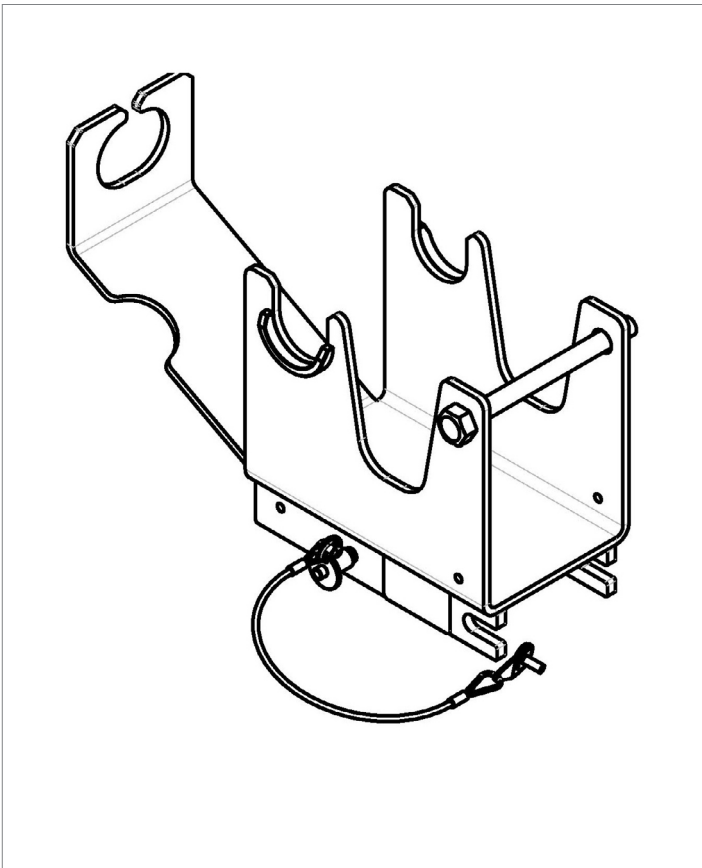
## **2002363 / 2002380**

### **Saverline 3 Way Fall Arrest and Recovery Block**

Retractable type 3 Way Fall Arrest and Recovery block. Designed to give workers freedom of movement and reduces the clearance height requirement in environments where they can be attached to overhead anchor points. For use as a back-up and recovery system for confined space. Active fall arrest mechanism that will engage in the event of a fall. Includes rescue winch mechanism to recover an unconscious casualty. Steel triple action anchor karabiner with fall indicator. Aluminium housing. Galvanised steel lifeline. Supplied with clear user instructions. Individually serial numbered certification for traceability. Pocket Inspection Guide. CE Approved to EN360.

Saverline 3 Way Fall Arrest and Recovery Block - 12m

Saverline 3 Way Fall Arrest and Recovery Block - 18m



## **IN-2374 / IN-2375**

### **Bracket for Block to Davit Arm**

Recovery device bracket.

Standard: EN 795

Literature supplied with item:  
User Instructions  
Product History Card



## **SLK-150/25M / SLK-150/50M**

### **Safe Lifting Kit**

150Kg Safe Working Load, 25m Long Rope - 12.5m in a 2:1 Config

150Kg Safe Working Load, 50m Long Rope - 25m in a 2:1 Config

- Mechanical lifting system that replaces the use of manual lifting techniques
- Quick and simple, foolproof rope hoist kit
- Drop proof auto lock function
- Safe Working Load Limit 150kg
- Factor of safety 7:1
- Can be used in conjunction with the Grabba bag
- Individually serial numbered certification for traceability
- Conforms to machinery directive 2006/42/EC





## 5/3061 5/3062 5/3063 GRABBA HB

### Grabba Bag Lifting Range

Grabba Lifting Bag - Small 75kg Safe Working Load

Grabba Lifting Bag - Medium 125kg Safe Working Load

Grabba Lifting Bag - Large 250kg Safe Working Load

Durable hard base for "SMALL" Lifting Bag

- Designed and built to EN1492.1 Lifting Standards
- Each complete with unique serial number for traceability
- Can be stacked two high for lifting or lowering
- Optional tough plastic base
- Can be used in conjunction with the Safe Lifting Kits standard or Light version

# Gas Detection



5551692

## 5551692 Multi-Gas Pump Cartridge

Using our new G7 Multi-gas Pump cartridge, businesses gain insight and control over each confined space entry and leak check survey being performed.

- Real-time flow rate confirms sampling performance in ml/minute
- Ultra-compact design is only 19 g (0.67 oz) bigger than our non-pump multi-gas cartridge
- Automatically toggles from diffusion to pump operation when entering a pump configuration mode
- Configuration modes automatically operate pump while capturing data for online analytics
- Configuration modes help maximize battery life by running the pump only when needed
- Tubing length setting provides a sample duration time to ensure users gather a sufficient sample
- Pump blockage alarm notifies users if the pump is obstructed
- Continuous pump run mode enables the pump to run continuously should a user require it
- Lifetime gas sensor and pump warranty

# Signage

Material: WW300 White Matt Soft Calendered PVC Film High Tack



Cat: High Risk Diameter: 150mm



Cat: High Risk Size: 200 x 180mm



Cat: Medium Risk Diameter: 150mm



Cat: Medium Risk Size: 200 x 180mm



Cat: Low Risk Diameter: 150mm



Cat: Low Risk Size: 200 x 180mm